

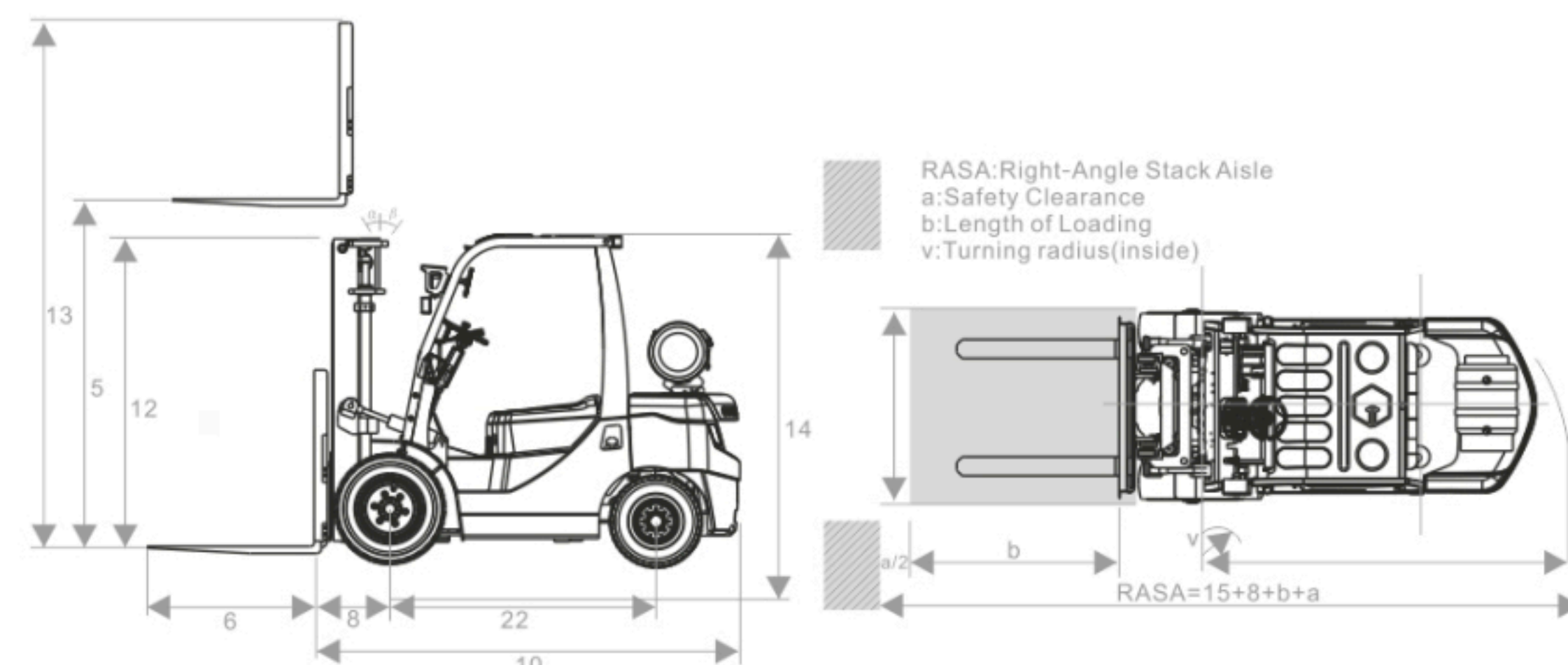
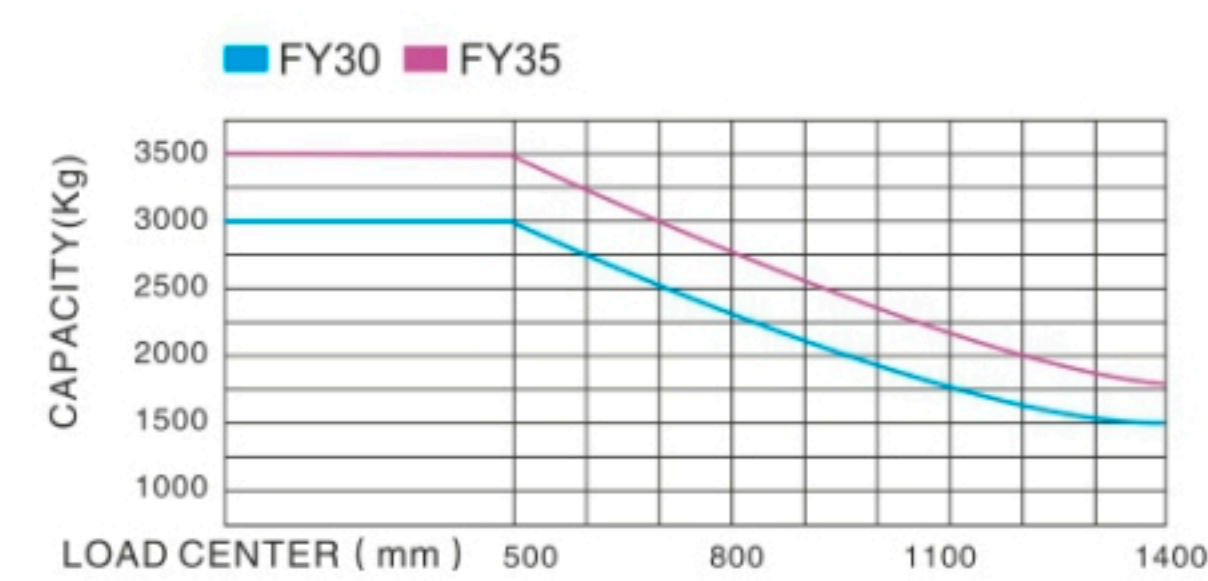
Gasoline & LPG FORKLIFT

FGY30  
FGY35



Engine-Choice

Brand	NISSAN	MITSUBISHI	GM
Model	K25	4G64	GM3.0
Rated output	37.4/2300	36.8/2500	40/2500
Rated torque	176.5/1600	161/1600	200/1600
No. of cylinder	4	4	4
Bore x Stroke	89X100	86.5X100	101.6X91.44
Displacement	2488	2350	3000



General	1 Model		FGY30	FGY35	
	2	Power type		Gasoline/LPG	Gasoline/LPG
3	Rated Capacity		kg	3000	
4	Load Centre		mm	500	
Characteristic & Dimension	5 Lifting Height		mm	3000	
	6	Fork Size	L×W×T	mm	1070×125×45
	7	Mast Tilt Angle	F/R	Deg	6°/12°
	8 Front Overhang (Wheel center to fork face)		mm	475	480
	9 Ground Clearance (Bottom of mast)		mm	135	135
	10	Overall Dimension	Length to face of fork (Without fork)	mm	2730
			Overall Width	mm	1225
			Mast Lowered Height	mm	2115
			Mast Extended Height (With backrest)	mm	4160
			Overhead Guard Height	mm	2090
Performance	15 Turning Radius (outside)		mm	2440	
	16 Min. insecting asisle			2490	
	17	Speed	Travel (No load)	km/h	19
		Lifting (Full load)	mm/s	440	
	18 Max.Gradeability (No load/Full load)		%	20	
Chassis	20	Tire	Front	mm	28×9-15-12PR
		Rear	mm	6.50-10-10PR	
	22 Wheelbase		mm	1700	
23 Service weight		kg	4300		
Power & Transmission	24 Battery		V/Ah	12/80	
	25	Model		K25	
		Manufacture		NISSAN	
		Rated output/r.p.m.	kw	37.4/2300	
		Rated torque/r.p.m.	N·m	176.5/1600	
		No.of Cylinder		4	
		Bore×Stroke	mm	89×100	
		Displacement	cc	2488	
	32 Fuel Tank Capacity		L	60	
	33	Transmission	Type	hydraulic	
Stage (FWD/RVS)			1/1		

Type	Model	Lift Height (mm)	Load Capacity (kg)		Overall Height (mm)						Free Lift (mm)				Tilt Angle F/R(deg)		
			3.0t	3.5t	3.0t		3.5t		3.0t		3.5t						
Wide view 2-stage mast	M200	2000	3000	3500	Mast Lowered	Mast Extended	Mast Lowered	Mast Extended	Mast Extended	Mast Extended	Mast Extended	Mast Extended	Mast Extended	Mast Extended			
					1615	3180	2720	1615	3180	2720	1615	3180	2720	-	-	-	-
					1865	3680	3220	1865	3680	3220	1865	3680	3220	-	-	-	-
					2115	4180	3720	2115	4180	3720	2115	4180	3720	-	-	-	-
					2265	4480	4020	2265	4480	4020	2265	4480	4020	-	-	-	-
					2365	4680	4220	2365	4680	4220	2365	4680	4220	-	-	-	-
					2465	4880	4420	2465	4880	4420	2465	4880	4420	-	-	-	-
					2665	5180	4720	2665	5180	4720	2665	5180	4720	-	-	-	-
					2915	5680	5220	2915	5680	5220	2915	5680	5220	-	-	-	-
					3165	6180	5720	3165	6180	5720	3165	6180	5720	-	-	-	-
3465	6680	6220	3465	6680	6220	3465	6680	6220	-	-	-	-					
3715	7180	6720	3715	7180	6720	3715	7180	6720	-	-	-	-					
3500	3000	3500	3500	1615	3180	2720	1615	3180	2720	470	930	470	930				
1865	3680	3220	1865	3680	3220	1865	3680	3220	720	1180	720	1180					
2115	4180	3720	2115	4180	3720	2115	4180	3720	970	1430	970	1430					
2265	4480	4020	2265	4480	4020	2265	4480	4020	1120	1580	1120	1580					
2365	4680	4220	2365	4680	4220	2365	4680	4220	1220	1680	1220	1680					
2465	4880	4420	2465	4880	4420	2465	4880	4420	1320	1780	1320	1780					
2665	5180	4720	2665	5180	4720	2665	5180	4720	1520	1980	1520	1980					
1870	4875	4420	1870	4875	4420	1870	4875	4420	730	1185	730	1185					
1970	5175	4720	1970	5175	4720	1970	5175	4720	830	1285	830	1285					
2085	5525	5070	2085	5525	5070	2085	5525	5070	945	1400	945	1400					
2135	5675	5240	2135	5675	5240	2135	5675	5240	995	1450	995	1450					
2235	5975	5520	2235	5975	5520	2235	5975	5520	1095	1550	1095	1550					
2305	6175	5720	2305	6175	5720	2305	6175	5720	1165	1620	1165	1620					
2675	6220	2520	2675	6220	2520	2675	6220	2520	1385	1840	1385	1840					
2685	7175	6720	2685	7175	6720	2685	7175	6720	1550	2010	1555	2010					