

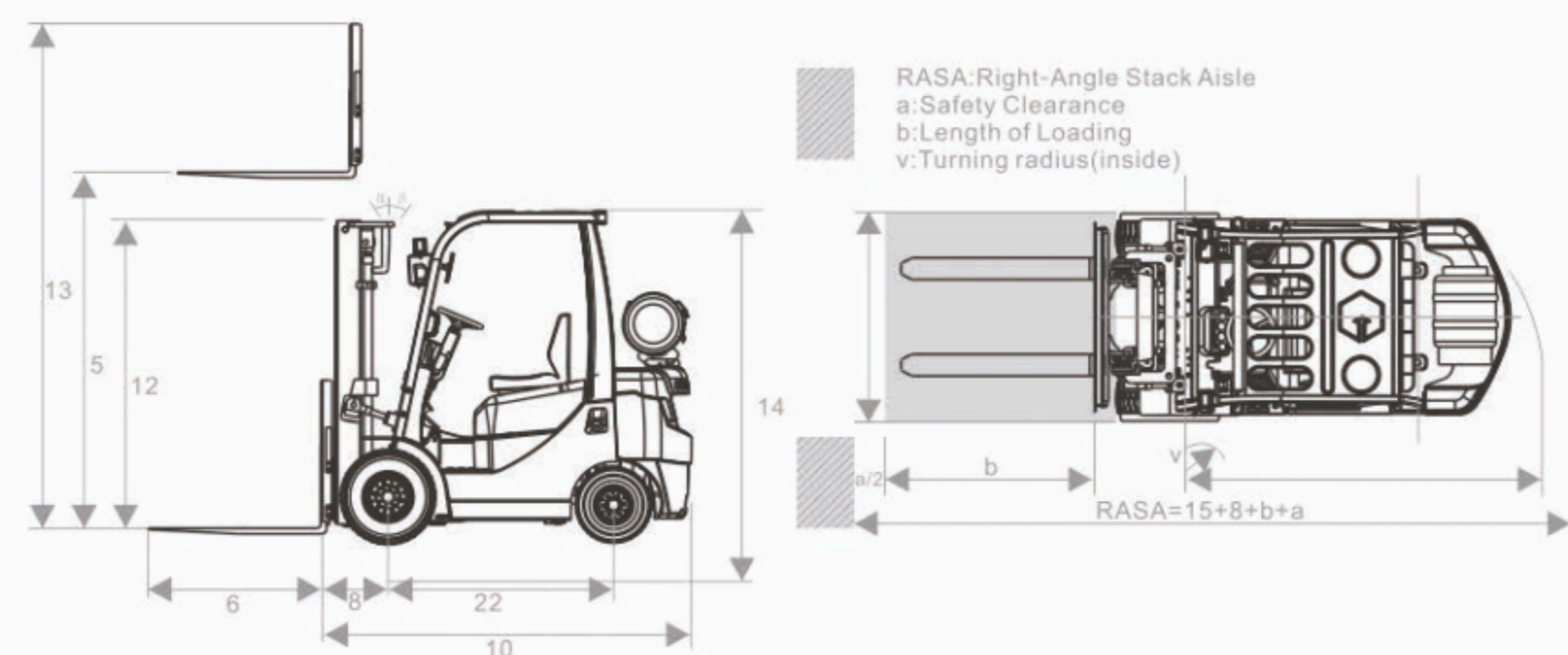
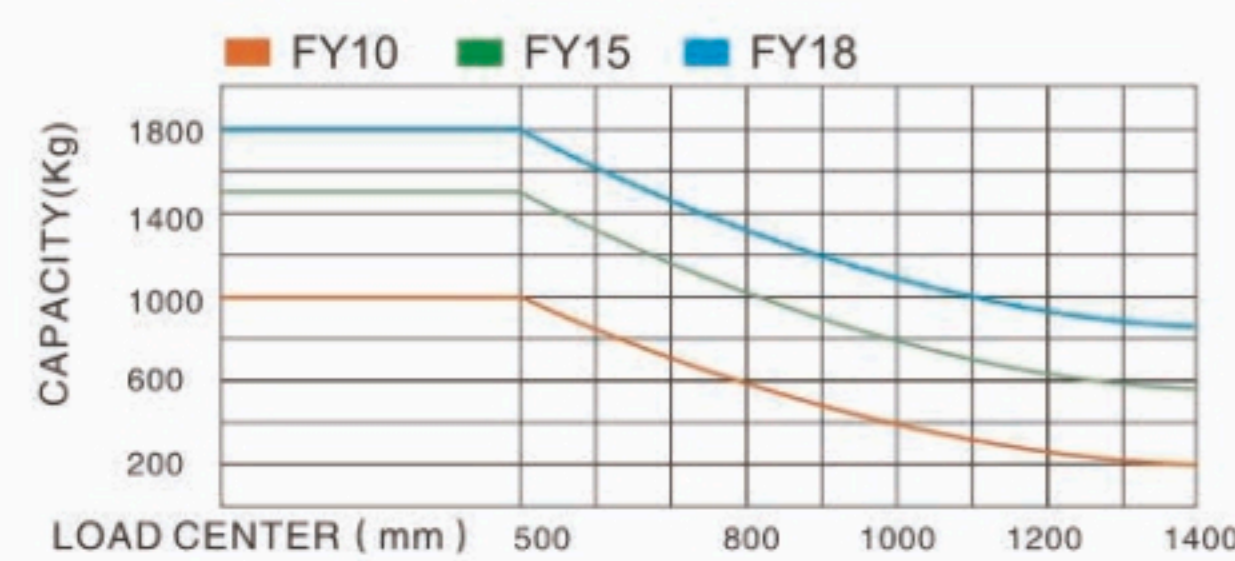
**Gasoline & LPG FORKLIFT**

**FGY10  
FGY15  
FGY18**



**Engine-Choice.**

Brand	Model	Rated output (kw/r.p.m)	Rated torque (Nm/r.p.m)	No. of cylinder	BorexStroke (mm)	Displacement (cc)
NISSAN	K21	31.2/2250	143.7/1600	4	89x83	2065



General	1 Model		FGY10	FGY15	FGY18		
	2	Power type		Gasoline&LPG	Gasoline&LPG	Gasoline&LPG	
3	Rated Capacity		kg	1000	1500	1800	
4	Load Centre		mm	500	500	500	
Characteristic & Dimension	5 Lifting Height		mm	3000	3000	3000	
	6	Fork Size	L×W×T	mm	920×120×35	920×120×35	920×120×35
	7	Mast Tilt Angle	F/R	Deg	6°/12°	6°/12°	6°/12°
	8 Front Overhang (Wheel center to fork face)		mm	420	420	420	
	9 Ground Clearance (Bottom of mast)		mm	110	110	110	
	10	Length to face of fork (Without fork)		mm	2215	2295	2295
	11	Overall Dimension		mm	1086	1086	1086
	12	Mast Lowered Height		mm	1995	1995	1995
	13	Mast Extended Height (With backrest)		mm	3940	3940	3940
	14	Overhead Guard Height		mm	2040	2040	2040
Performance	15 Turning Radius (outside)		mm	1975	2055	2055	
	16 Min. insecting asisle			2070	2150	2150	
	17	Speed	Travel (No load)	km/h	15	15	15
		Lifting (Full load)	mm/s	460	450	440	
	18		Max.Gradeability (No load/Full load)	%	20	20	20
Chassis	20	Tire	Front	mm	6.50-10-10PR	6.50-10-10PR	6.50-10-10PR
		Rear	mm	5.00-8-10PR	5.00-8-10PR	5.00-8-10PR	
	22 Wheelbase		mm	1400	1400	1400	
	23 Service weight		kg	2490	2820	3000	
Power & Transmission	24 Battery		V/Ah	12/80	12/80	12/80	
	25	Engine	Model		K21	K21	K21
		Manufacture		NISSAN	NISSAN	NISSAN	
		Rated output/r.p.m.	kw	31.2/2250	31.2/2250	31.2/2250	
		Rated torque/r.p.m.	N·m	143.7/1600	143.7/1600	143.7/1600	
		No.of Cylinder		4	4	4	
		Bore×Stroke	mm	89×83	89×83	89×83	
		Displacement	cc	2065	2065	2065	
		Fuel Tank Capacity	L	45	45	45	
	33	Transmission	Type		hydraulic	hydraulic	hydraulic
Stage (FWD/RVS)			1/1	1/1	1/1		

Type	Model	Lift Height (mm)	Load Capacity (kg)			Overall Height (mm)			Free Lift (mm)		Tilt Angle F/R(deg)
			1.0t	1.5t	1.8t	1.0-1.8t		1.0-1.8t			
						Mast Lowered	Mast Extended	Mast Extended	Without Backrest		
Wide view 2-stage mast	M200	2000	1000	1500	1800	1495	2940	2540	-	-	6/12
	M250	2500	1000	1500	1800	1745	3440	3040	-	-	6/12
	M300	3000	1000	1500	1800	1995	3940	3540	-	-	6/12
	M330	3300	1000	1500	1800	2145	4240	3840	-	-	6/12
	M350	3500	1000	1500	1800	2245	4440	4040	-	-	6/12
	M370	3700	1000	1500	1800	2345	4640	4240	-	-	6/12
	M400	4000	950*1000	1400*1500	1600*1800	2545	4940	4540	-	-	6/12
	M450	4500	800*950	1200*1350	1350*1600	2795	5440	5040	-	-	6/6
	M500	5000	700*850	1100*1300	1150*1500	3045	5940	5540	-	-	6/6
	M550	5500	550*800	800*1200	850*1400	3345	6440	6060	-	-	3/6
Full free 2-stage mast	M600	6000	350*600	550*1000	600*1150	3595	6940	6560	-	-	3/6
	Z200	2000	1000	1500	1800	1495	2940	2540	585	980	6/12
	Z250	2500	1000	1500	1800	1745	3440	3040	835	1230	6/12
	Z300	3000	1000	1500	1800	1995	3940	3540	1085	1485	6/12
	Z330	3300	1000	1500	1800	2145	4240	3840	1235	1630	6/12
	Z350	3500	1000	1500	1800	2245	4440	4040	1335	1730	6/12
	Z370	3700	1000	1500	1800	2346	4650	4250	1360	1760	6/12
	Z400	4000	950*1000	1400*1500	1600*1800	2545	4940	4540	1635	2030	6/12
	S370	3700	1000	1500	1800	1745	3440	3040	790	1190	6/6
	S400	4000	900*1000	1400*1500	1600*1800	1870	4935	4545	960	1315	6/6
Full free 3-stage mast	S435	4350	850*950	1350*1400	1550*1700	1995	5285	4895	1085	1480	6/6
	S450	4500	800*930	1300*1400	1350*1600	2045	5435	5040	1135	1530	6/6
	S480	4800	750*900	1200*1350	1250*1550	2145	5735	5345	1235	1630	6/6
	S500	5000	650*900	1000*1300	1150*1500	2245	5935	5545	1335	1730	6/6
	S550	5500	500*800	700*1200	850*1400	2410	6435	6045	1500	1895	3/6
	S600	6000	300*750	500*1000	550*1150	2595	6935	6545	1685	2080	3/6