

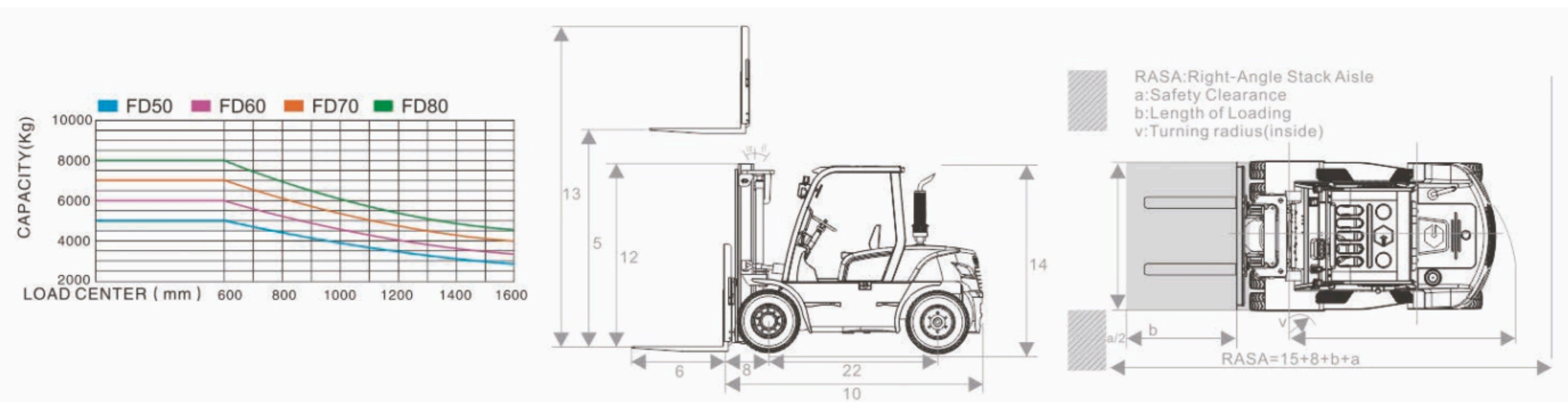
DIESEL FORKLIFT

FD50
FD60
FD70
FD80



Engine-Choice

Brand	ISUZU	mitsubishi	CHAOCHAI
Model	6BG1	S6S-T	CY6102BG
Rated output	82.3/2000	63.9/2300	81/2500
Rated torque	416/1400-1600	285/1700	353/1650
No. of cylinder	6	6	6
Bore x Stroke	105X125	94X120	102X118
Displacement	6494	4996	5785



General	1 Model		FD50	FD60	FD70	FD80		
	2	Power type		Diesel	Diesel	Diesel	Diesel	
3	Rated Capacity		kg	5000	6000	7000	8000	
4	Load Centre		mm	600	600	600	600	
Characteristic & Dimension	5 Lifting Height		mm	3000	3000	3000	3000	
	6	Fork Size	L×W×T	mm	1220×150×60	1220×150×60	1220×150×70	1220×150×70
	7	Mast Tilt Angle	F/R	Deg	6°/12°	6°/12°	6°/12°	6°/12°
	8	Front Overhang (Wheel center to fork face)		mm	590	590	595	595
	9	Ground Clearance (Bottom of mast)		mm	200	200	200	200
	10	Overall Dimension	Length to face of fork (Without fork)	mm	3450	3450	3560	3560
	11		Overall Width	mm	2010	2010	2010	2010
	12		Mast Lowered Height	mm	2500	2500	2500	2500
	13		Mast Extended Height (With backrest)	mm	4415	4415	4415	4415
	14	Overhead Guard Height		mm	2470	2470	2470	2470
Performance	15 Turning Radius (outside)		mm	3250	3250	3350	3350	
	16 Speed	Travel (No load)	km/h	30	30	30	30	
		Lifting (Full load)	mm/s	500	500	460	460	
17	Max.Gradeability (No load/Full load)		%	20	20	20	20	
Chassis	19 Tire	Front	mm	8.25-15-14PR	8.25-15-14PR	8.25-15-14PR	8.25-15-14PR	
		Rear	mm	8.25-15-14PR	8.25-15-14PR	8.25-15-14PR	8.25-15-14PR	
	20	Wheelbase		mm	2250	2250	2250	2250
	21	Service weight		kg	8150	8750	9750	10350
Power & Transmission	22	Battery		V/Ah	(12V/80Ah) x 2	(12V/80Ah) x 2	(12V/80Ah) x 2	(12V/80Ah) x 2
	23 Engine	24 Model			CY6102BG	6BG1	6BG1	6BG1
		25 Manufacture			CHAOCHAI	ISUZU	ISUZU	ISUZU
		26 Rated output/r.p.m.		kw	81/2500	82.3/2000	82.3/2000	82.3/2000
		27 Rated torque/r.p.m.		N·m	353/1650	416/1400-1600	416/1400-1600	416/1400-1600
		28 No.of Cylinder			6	6	6	6
		29 Bore×Stroke		mm	102×118	105×125	105×125	105×125
		30 Displacement		cc	5785	6494	6494	6494
	31 Fuel Tank Capacity		L	140	140	140	140	
	32 Transmission	Type			Hydraulic	Powershift	hydraulic	Hydraulic
33 Stage (FWD/RVS)			2/2	2/2	2/2	2/2		

Type	Model	Lift Height (mm)	Load Capacity (kg)				Overall Height (mm)			Free Lift (mm)		Tilt Angle F/R(deg)
			5.0t	6.0t	7.0t	8.0t	5.0-8.0t Mast Lowered	5.0-8.0t Mast Extended				
								With Backrest	Without Backrest	With Backrest	Without Backrest	
Wide view 2-stage mast	M250	2500	5000	6000	7000	8000	2250	3900	3620	-	-	6/12
	M300	3000	5000	6000	7000	8000	2500	4400	4120	-	-	6/12
	M330	3300	5000	6000	7000	8000	2650	4700	4420	-	-	6/12
	M350	3500	5000	6000	7000	8000	2750	4900	4620	-	-	6/12
	M370	3700	5000	6000	7000	8000	2850	5100	4820	-	-	6/12
	M400	4000	5000	6000	7000	8000	3050	5400	5120	-	-	6/12
	M450	4500	5000	6000	7000	7500	3300	5900	5620	-	-	6/6
	M500	5000	5000	6000	7000	7300	3550	6400	6120	-	-	6/6
Full free 2-stage mast	M550	5500	4750	5700	6600	7000	3850	6900	6620	-	-	3/6
	M600	6000	4400	5400	6400	6800	4100	7400	7120	-	-	3/6
	Z250	2500	5000	6000	7000	8000	2250	3900	3620	1200	760	6/12
	Z300	3000	5000	6000	7000	8000	2500	4400	4120	1400	1010	6/12
	Z330	3300	5000	6000	7000	8000	2650	4700	4420	1550	1160	6/12
	Z350	3500	5000	6000	7000	8000	2750	4900	4620	1650	1260	6/12
	Z370	3700	5000	6000	7000	8000	2850	5100	4820	1775	1385	6/12
	Z400	4000	5000	6000	7000	7500	3050	5400	5120	1950	1560	6/12
Full free 3-stage mast	S370	3700	4500	5500	6200	7000	2435	5025	4675	1375	1025	6/12
	S400	4000	4500	5500	6200	7000	2535	5390	5390	1475	1125	6/6
	S435	4350	4500	5500	6200	7000	2650	5740	5740	1590	1240	6/6
	S450	4500	4500	5500	6200	7000	2700	5890	5890	1640	1290	6/6
	S480	4800	4500	5500	6200	6600	2805	6200	6200	1745	1395	6/6
	S500	5000	4500	5500	6200	6500	2870	6400	6400	1810	1460	6/6
	S550	5500	4200	5300	6000	6200	3040	6820	6820	1980	1630	3/6
	S600	6000	4000	5000	5500	6000	3205	7400	7400	2145	1795	3/6