

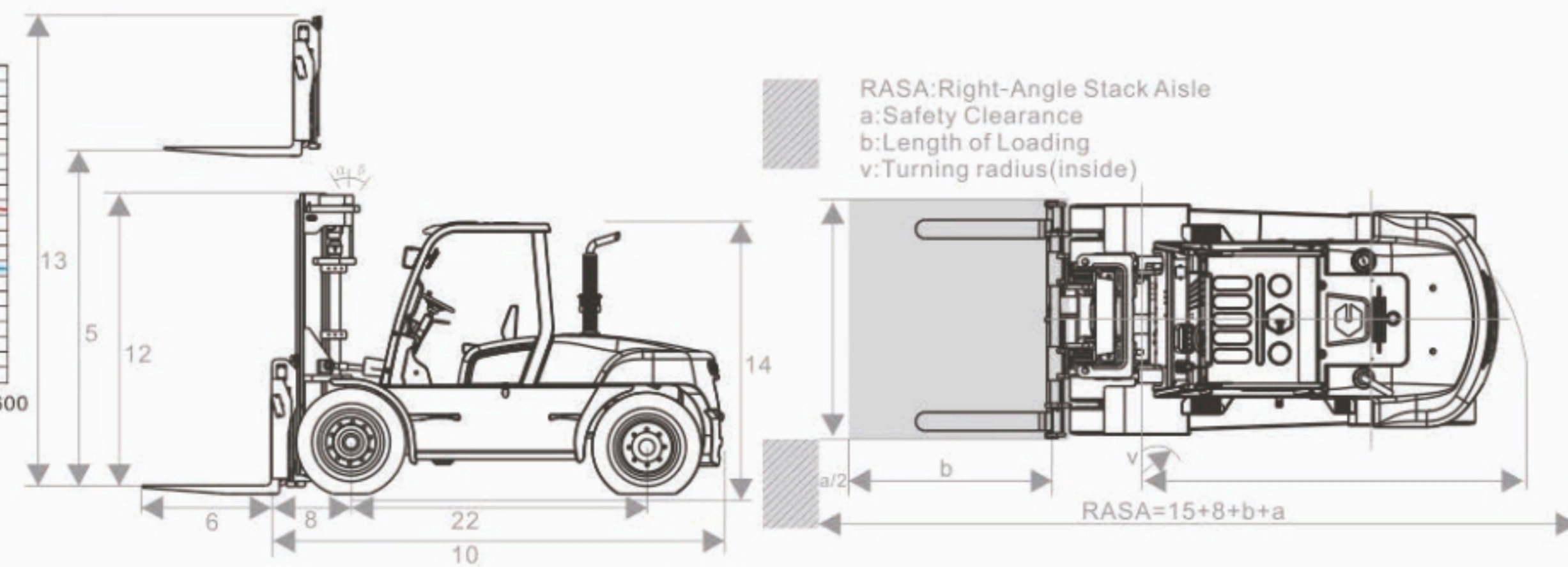
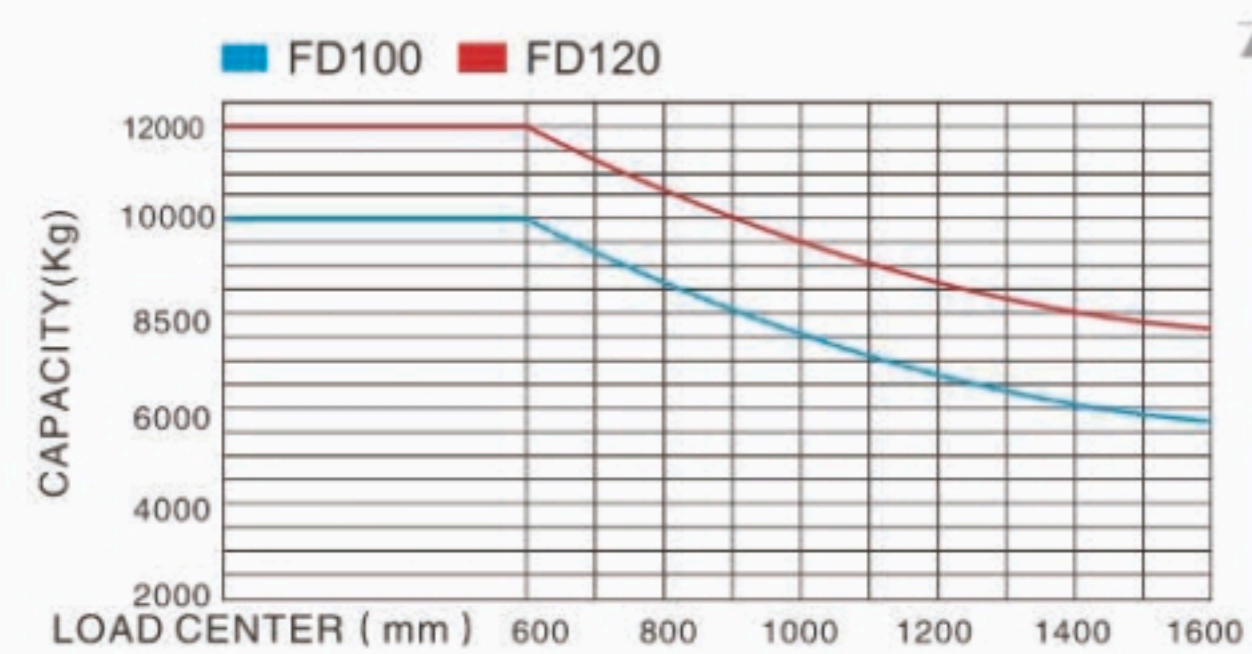
DIESEL FORKLIFT

FD100  
FD120



Engine Choice

Brand	ISUZU	XICHAI	CHAOCHAI
Model	6BG1	CA6110	CY6102BG
Rated output	82.3/2000	83/2000	81/2500
Rated torque	416/1400-1600	450/1400-1500	353/1650
No. of cylinder	6	6	6
Bore x Stroke	105X125	110X125	102X118
Displacement	6494	7127	5785



General	1	Model		FD100	FD120	
	2	Power type		Diesel	Diesel	
3	Rated Capacity	kg		10000	12000	
4	Load Centre	mm		600	600	
Characteristic & Dimension	5	Lifting Height	mm	3000~6000	3000~6000	
	6	Fork Size	L×W×T	1520×175×85	1520×180×100	
	7	Mast Tilt Angle	F/R	6°/12°	6°/12°	
	8	Front Overhang (Wheel center to fork face)	mm	750	770	
	9	Ground Clearance (Bottom of mast)	mm	240	250	
	10	Overall Dimension	Length to face of fork (Without fork)	mm	4280	4700
	11		Overall Width	mm	2170	2200
	12		Mast Lowered Height	mm	2830	3080
	13		Mast Extended Height (With backrest)	mm	4300	4510
	14	Overhead Guard Height	mm	2570	2590	
Performance	15	Turning Radius (outside)	mm	3970	4700	
	16	Speed	Travel (No load)	km/h	30	28
	17		Lifting (Full load)	mm/s	270	280
	18	Max.Gradeability (No load/Full load)	%	20	20	
Chassis	19	Tire	Front	mm	9.00-20-14PR	9.00-20
	20		Rear	mm	9.00-20-14PR	9.00-20
	21	Wheelbase	mm	2800	3200	
	22	Service weight	kg	13000	14500	
Power & Transmission	23	Battery	Voltage/Capacity	V/Ah	(12V/80Ah) x 2	(12V/80Ah) x 2
	24	Engine	Model		6BG1	6BT5.9-C130
	25		Manufacture		ISUZU	DONGFENG CUMMINS
	26		Rated output/r.p.m.	kw	82.3/2000	97/2200
	27		Rated torque/r.p.m.	N·m	416/1400-1600	560/1500
	28		No.of Cylinder		6	6
	29		Bore×Stroke	mm	105×125	102×120
	30		Displacement	cc	6494	5900
	31		Fuel Tank Capacity	L	140	150
	32	Transmission	Type		hydraulic	hydraulic
	33		Stage (FWD/RVS)		2/2	2/2

Type	Model	Lift Height (mm)	Load Capacity (kg)		Overall Height (mm)				Free Lift (mm)		Tilt Angle F/R(deg)
					10.0t		12.0t		10.0t	12.0t	
					10.0t	12.0t	Mast Lowered	Mast Extended	Mast Lowered	Mast Extended	
Wide view 2-stage mast	M250	2500	10000	-	2580	4070	-	-	-	-	6/12
	M300	3000	10000	12000	2830	4260	3080	4510	-	-	6/12
	M330	3300	10000	12000	2980	4560	3230	4810	-	-	6/12
	M350	3500	10000	12000	3080	4760	3330	5010	-	-	6/12
	M370	3700	10000	12000	3180	4960	3455	5260	-	-	6/12
	M400	4000	10000	11000	3380	5310	3630	5560	-	-	6/12
	M450	4500	10000	11000	3630	5810	3880	6060	-	-	6/6
	M500	5000	10000	10000	3880	6310	4130	6560	-	-	6/6
Full free 3-stage mast	M550	5500	9000	9500	4180	6860	4430	7110	-	-	3/6
	M600	6000	8000	8500	4430	7360	4680	7610	-	-	3/6
	S360	3600	8000	-	2600	4920	-	-	1205	-	6/12
	S400	4000	8000	-	2725	5320	-	-	1330	-	6/6
	S435	4350	8000	-	2850	5670	-	-	1455	-	6/6
	S450	4500	8000	-	2900	5820	-	-	1505	-	6/6
	S480	4800	7500	-	3000	6120	-	-	1605	-	6/6
	S500	5000	7500	-	3100	6320	-	-	1705	-	6/6
S550	5500	7000	-	3270	6820	-	-	1875	-	3/6	
S600	6000	6500	-	3525	7320	-	-	2130	-	3/6	